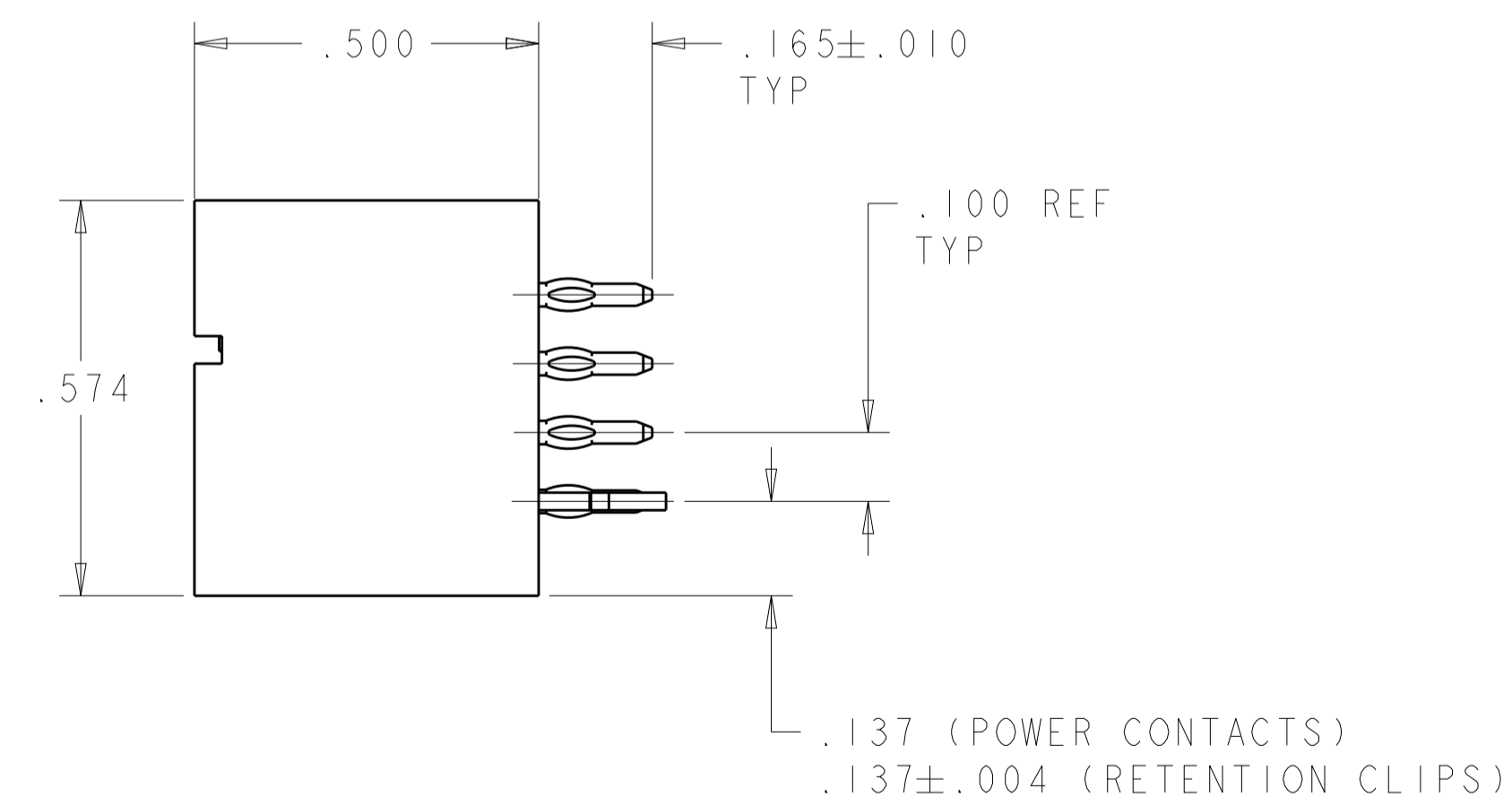
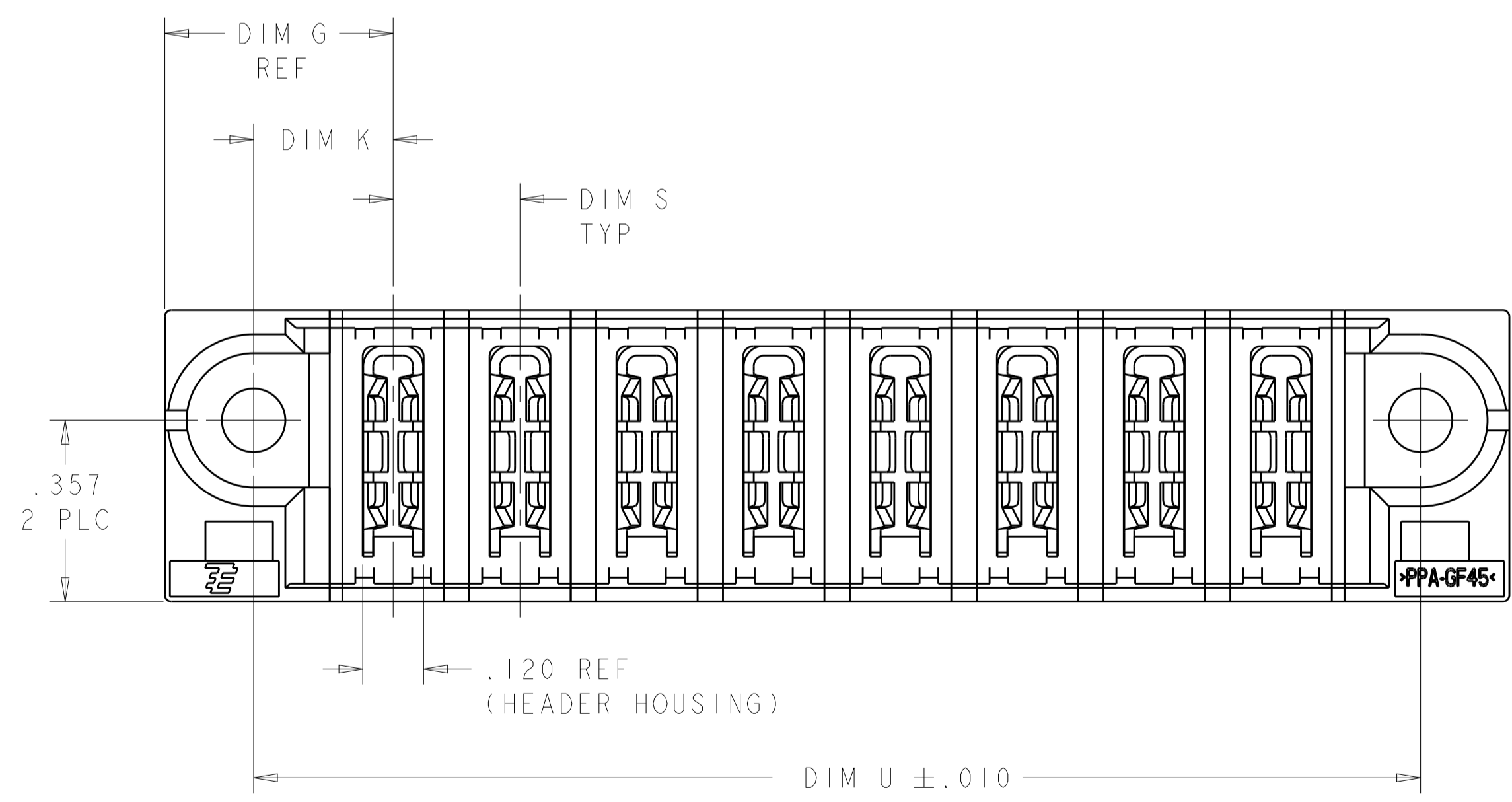
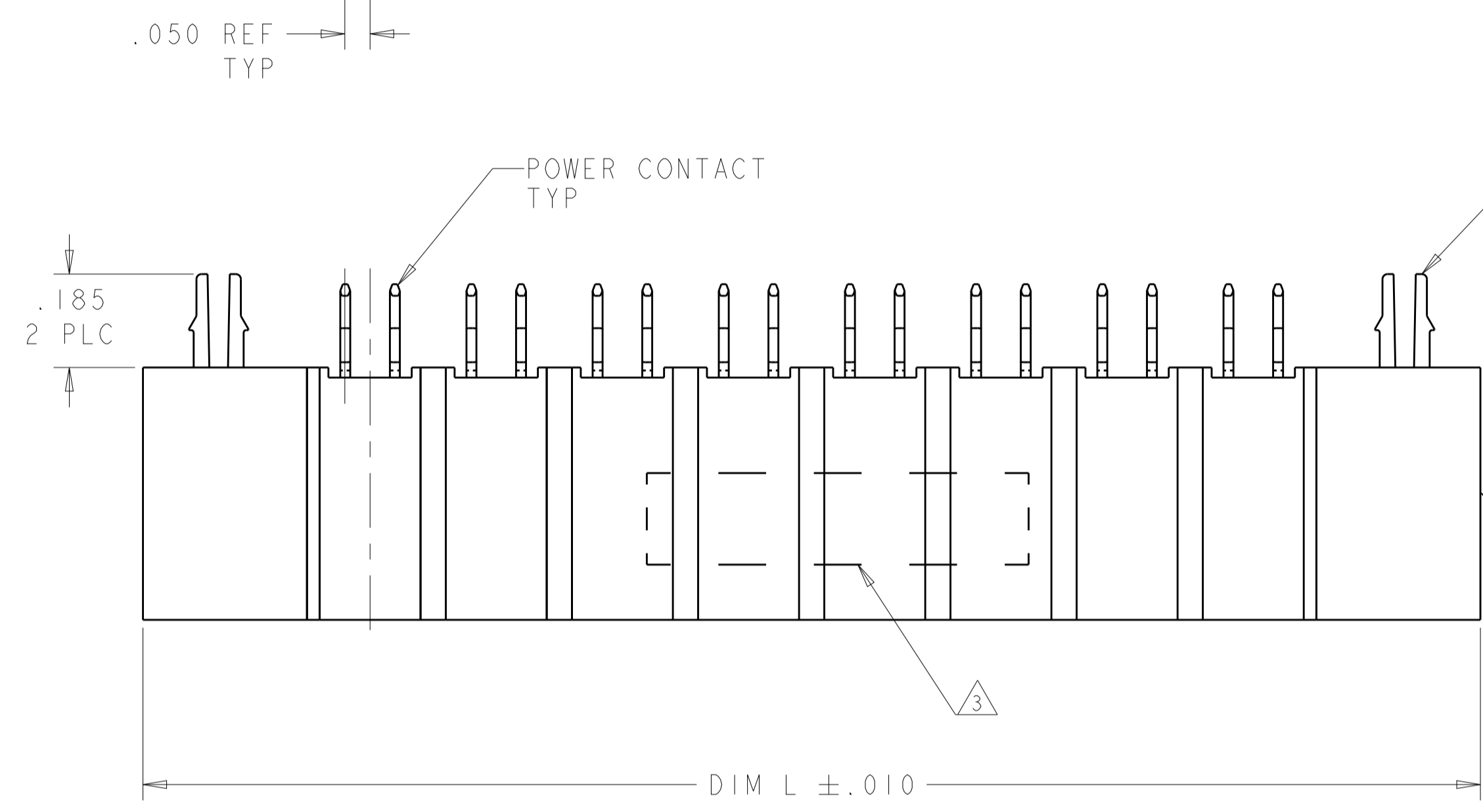
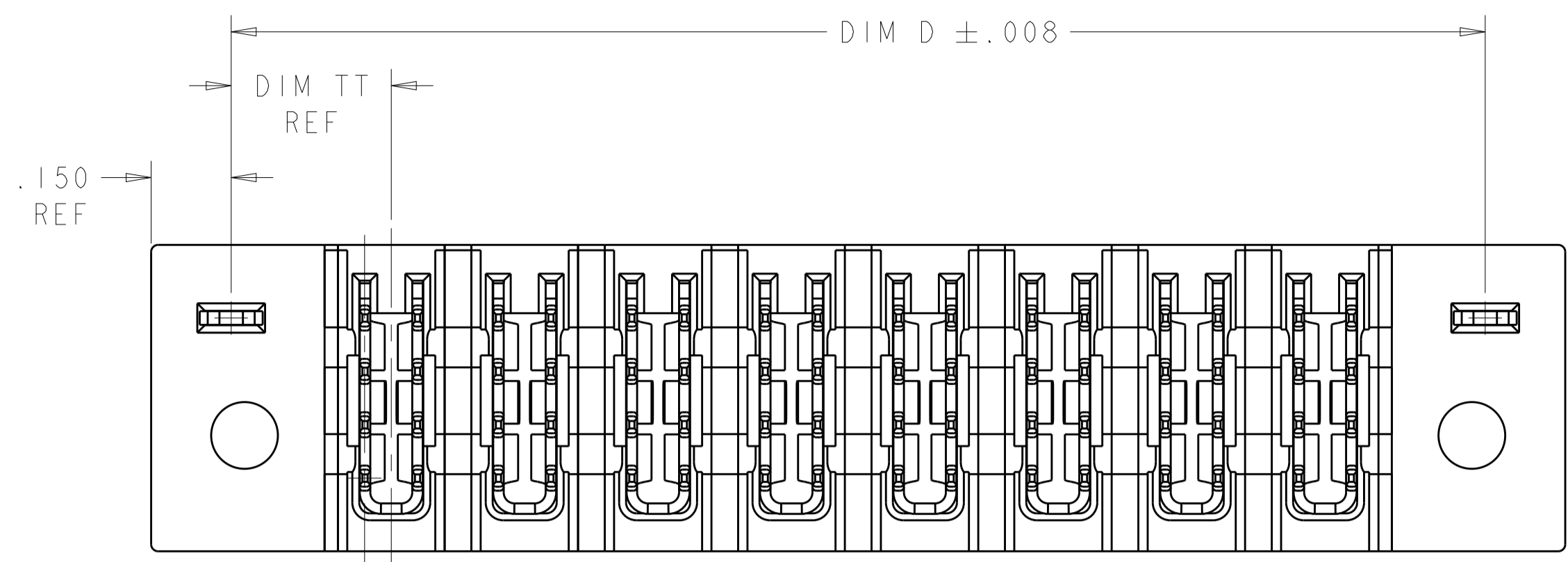


LOC	DIST	REVISIONS			
P	LTN	DESCRIPTION	DATE	DMN	APVD
B7		REV PER ECR-12-018925	31OCT2012	CZ	SZ
B8		REV PER ECR-14-002489	25FEB2014	OL	SZ




- △ HEADER HOUSING: THERMO PLASTIC, BLACK, UL94 V-0; CONTACTS AND RETENTION CLIPS: COPPER ALLOY.
- △ CONTACT PLATING: NOBLE METAL PLATING ON CONTACT FUNCTIONAL AREA OF POWER CONTACTS
RETENTION CLIP: .000115 MIN TIN.
- △ "AMP", PART NUMBER AND DATE CODE MARKED IN THIS AREA. PARTS UNDER 2.50 LONG MAY BE MARKED ON BOTH SIDES.
- △ DATUM AND BASIC DIMENSIONS ESTABLISHED BY CUSTOMER.
- △ PCB - ALL HOLE DIAMETERS ARE FINISHED HOLE SIZES.
- 6. A SEATING TOOL IS REQUIRED TO SEAT THE HEADER ON THE P.C. BOARD. PLEASE REFER TO THE 114-13038 APPLICATION SPEC.
- △ MECHANICAL CONNECTOR KEEP OUT ZONE.
- △ NO RELEASED FOR PRODUCTION

THIS DRAWING IS A CONTROLLED DOCUMENT.		DMN D. RINGLER 15MAR06	TE Connectivity
DIMENSIONS: INCHES		CHK M. PERCHERKE 15MAR06	
TOLERANCES UNLESS OTHERWISE SPECIFIED:		APVD M. PERCHERKE 15MAR06	NAME VERTICAL HEADER CONN, W/GUIDES PRESS FIT, TYPE P MULTI-BEAM XL
0 PLC ±. 1 PLC ±. 2 PLC ±. 3 PLC ±.005 4 PLC ±. ANGLES ±.		PRODUCT SPEC 108-1973	SIZE A1
MATERIAL △		APPLICATION SPEC 114-13038	CAGE CODE DRAWING NO C=6600303
FINISH △		WEIGHT	RESTRICTED TO
CUSTOMER DRAWING		SCALE 2:1	SHEET 1 OF 6 REV B8

THIS DRAWING IS UNPUBLISHED. RELEASED FOR PUBLICATION 20
 © COPYRIGHT 20 BY - ALL RIGHTS RESERVED.

LOC	DIST	REVISIONS					
GP	00	P	LTN	DESCRIPTION	DATE	DWN	APVD
		-		SEE SHEET 1		-	-

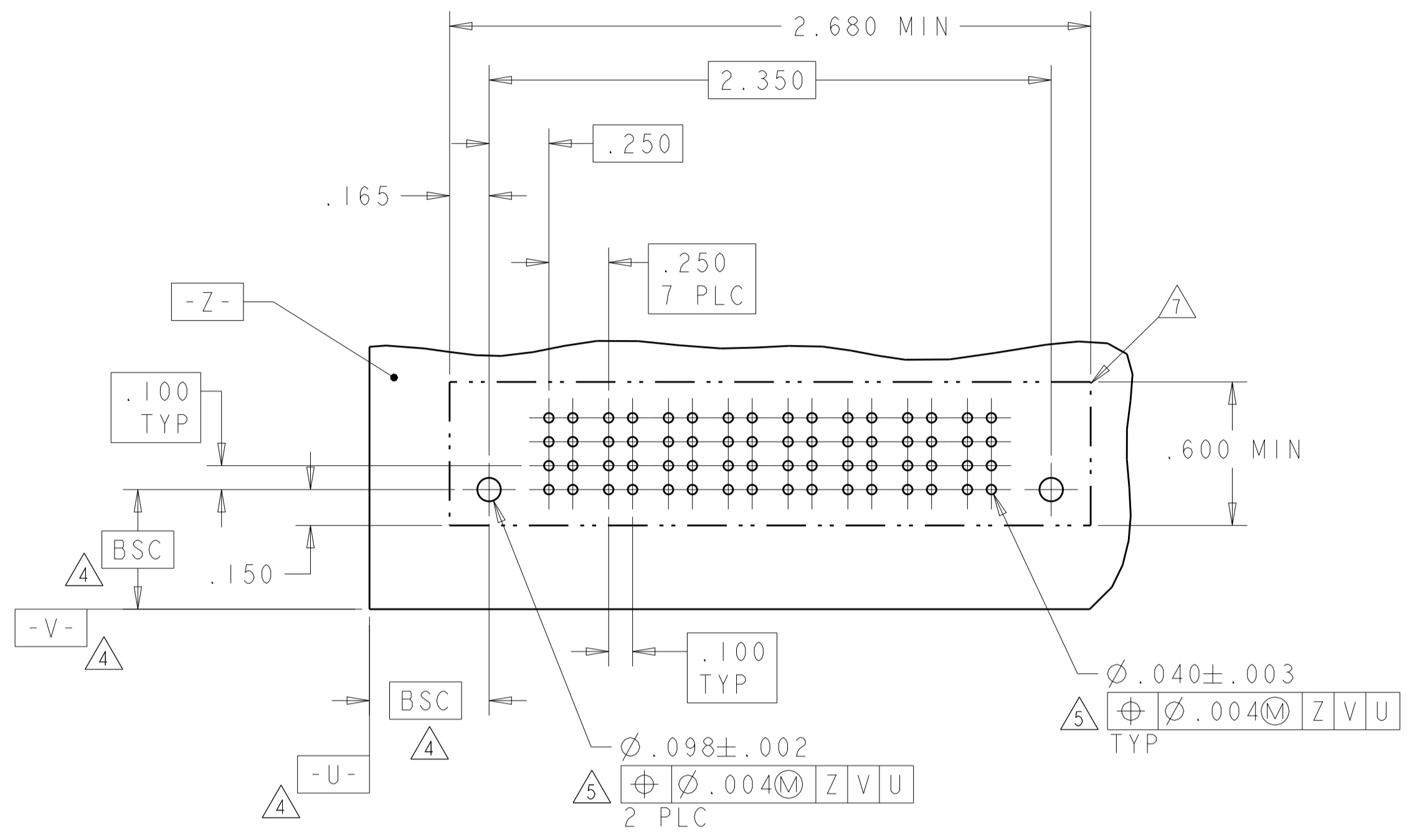
Ⓡ7	.325	1.800	.300	2.150	.300	.475	1.850	YES	5ACP	1-6600303-2
	.375	1.900	.300	2.250	.350	.525	1.950	NO	5ACP	1-6600303-1
	.300	2.050	.300	2.400	.275	.450	2.100	NO	6ACP	1-6600303-0
	.375	1.900	.300	2.250	.350	.525	1.950	YES	5ACP	6600303-9
	.325	1.200	.300	1.550	.300	.475	1.250	YES	3ACP	6600303-7
	.300	1.800	.250	2.150	.275	.450	1.850	YES	6P	6600303-6
Ⓢ	.300	2.550	.250	2.900	.275	.450	2.600	NO	9P	6600303-5
Ⓢ	.300	2.150	.200	2.500	.275	.450	2.200	NO	9HDP	6600303-4
	.325	1.500	.300	1.850	.300	.475	1.550	YES	4ACP	6600303-3
	.300	1.300	.250	1.650	.275	.450	1.350	YES	4P	6600303-2
	.300	2.300	.250	2.650	.275	.450	2.350	YES	8P	6600303-1
	DIM "TT"	DIM "U"	DIM "S"	DIM "L"	DIM "K"	DIM "G"	DIM "D"	RETENTION CLIP	DESCRIPTION	PART NUMBER

THIS DRAWING IS A CONTROLLED DOCUMENT.		DWN D. RINGLER 15MAR06	 TE Connectivity
DIMENSIONS: INCHES		CHK M. PERCHERKE 15MAR06	
TOLERANCES UNLESS OTHERWISE SPECIFIED: 0 PLC ±. 1 PLC ±. 2 PLC ±. 3 PLC ±.005 4 PLC ±. ANGLES ±.		APVD M. PERCHERKE 15MAR06	NAME VERTICAL HEADER CONN, W/GUIDES PRESS FIT, TYPE P MULTI-BEAM XL
MATERIAL FINISH		PRODUCT SPEC 108-1973	RESTRICTED TO
		APPLICATION SPEC 114-13038	SIZE A1
		WEIGHT	CAGE CODE 6600303
		CUSTOMER DRAWING	SCALE 2:1
			SHEET 2 OF 6
			REV B8

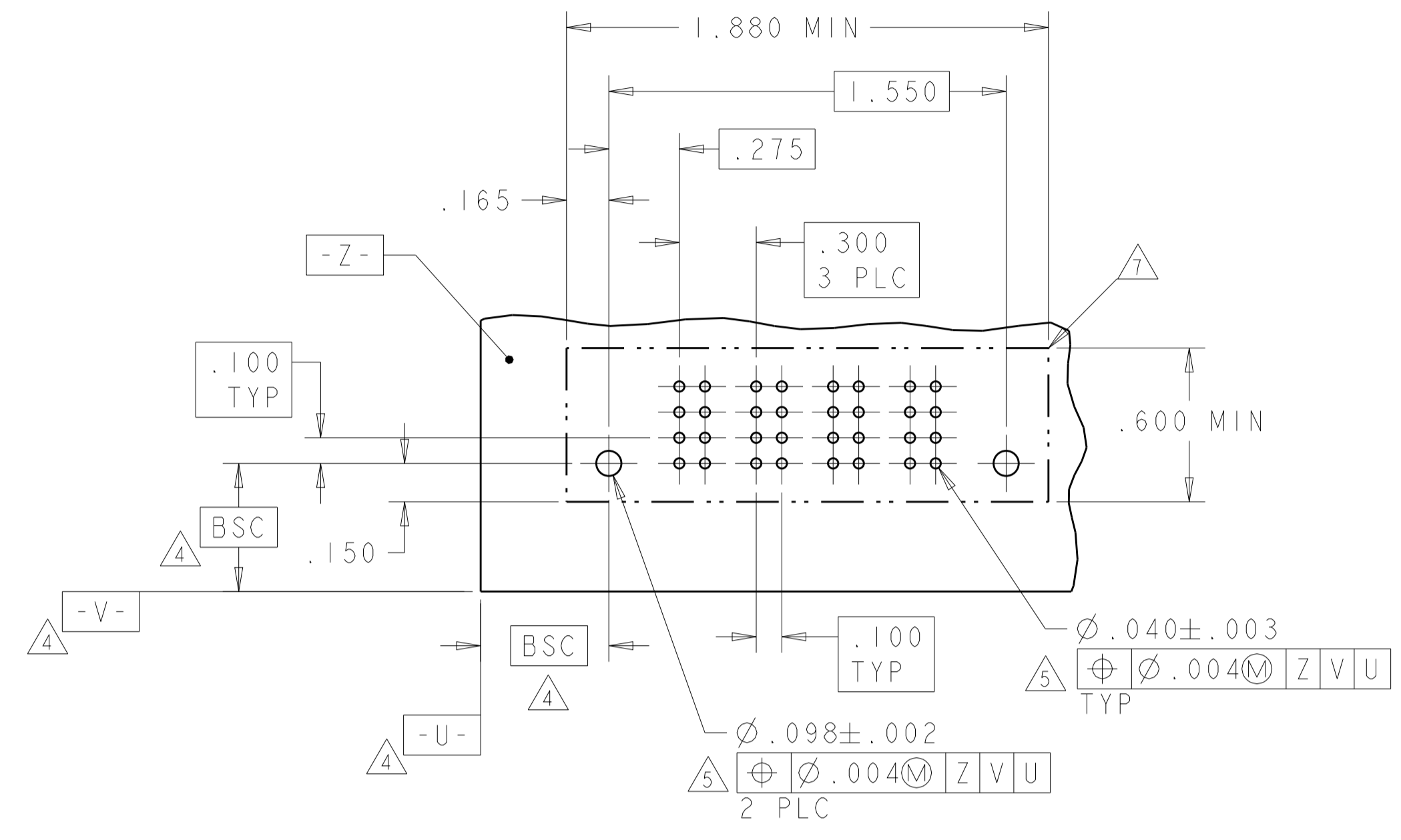
LOC	DIST	REVISIONS			
P	LTN	DESCRIPTION	DATE	DMN	APVD
GP	00	SEE SHEET 1	-	-	-

PART NUMBER	ROWS	POWER							
		P1	P2	P3	P4	P5	P6	P7	P8
6600303-1	D		VM	VM	VM	VM	VM	VM	VM
	C								
	B								
	A								
8P		HD		HD					

PART NUMBER	ROWS	POWER				
		P1	P2	P3	P4	
6600303-3	D		VM	VM	VM	VM
	C					
	B					
	A					
4ACP		HD		HD		



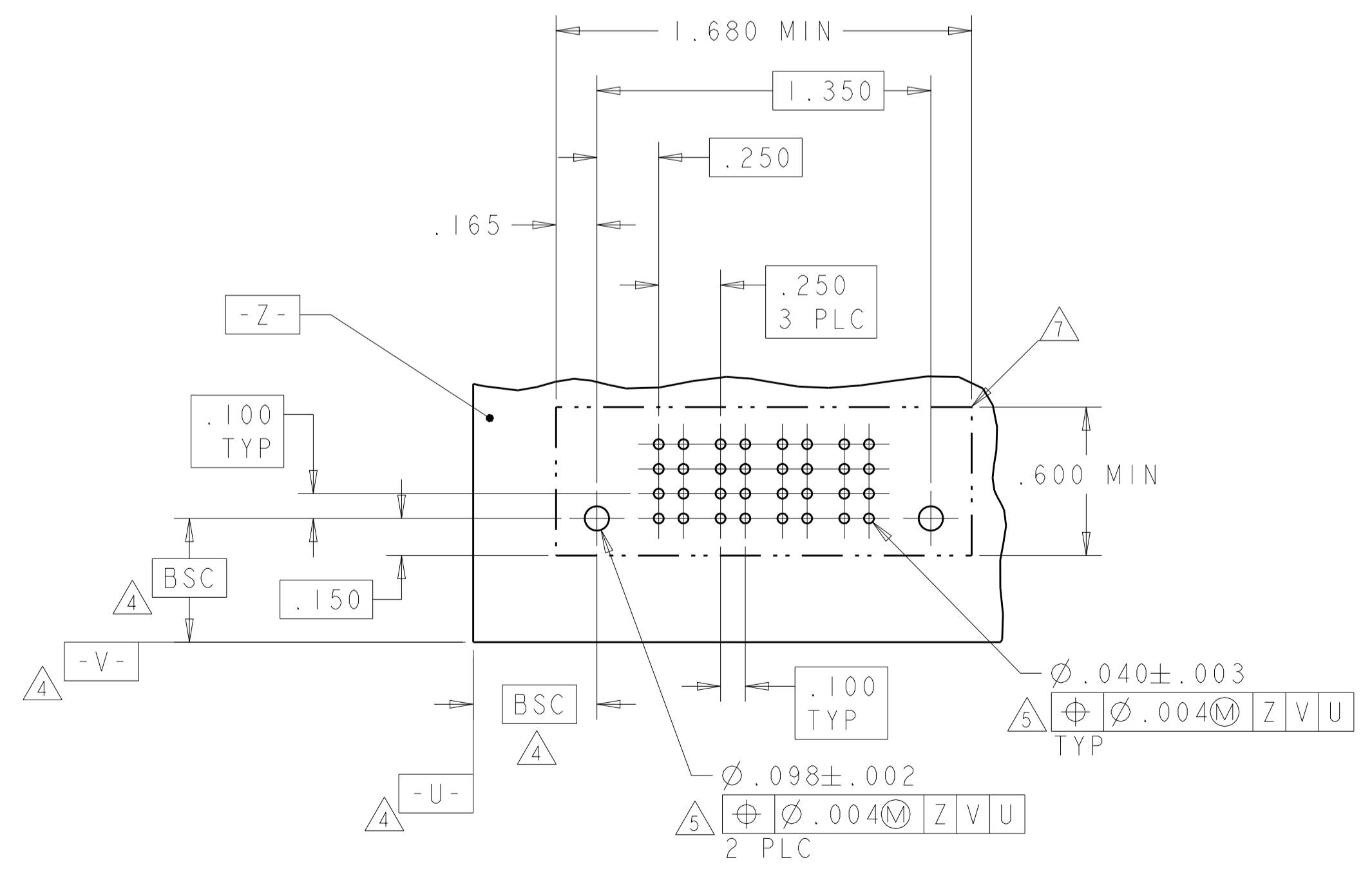
RECOMMENDED PCB LAYOUT 6600303-1
 SCALE 2:1



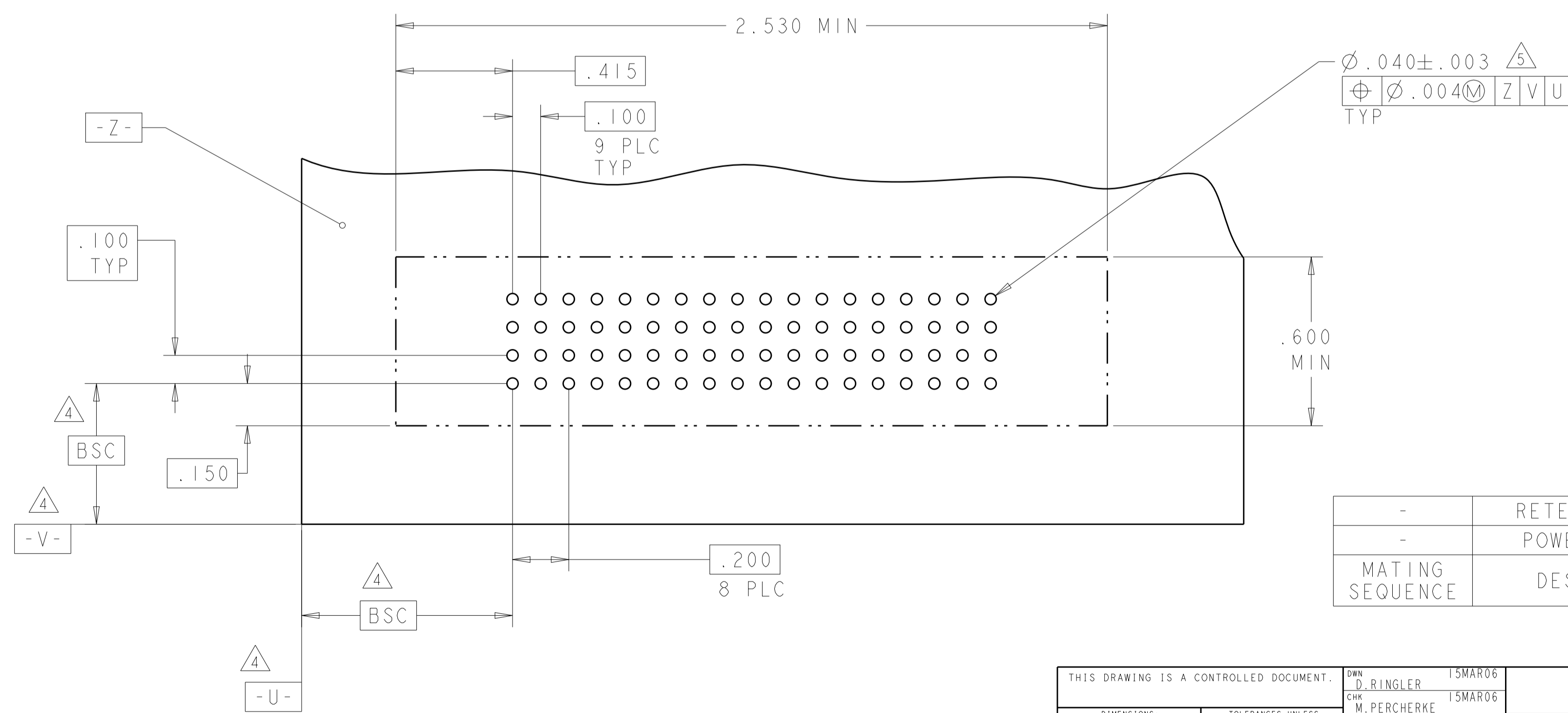
RECOMMENDED PCB LAYOUT 6600303-3
 SCALE 2:1

PART NUMBER	ROWS	POWER			
		P1	P2	P3	P4
6600303-2	D		VM	VM	VM
	C				
	B				
	A				
4P		HD		HD	

PART NUMBER	ROWS	POWER								
		P1	P2	P3	P4	P5	P6	P7	P8	P9
6600303-4	D		VM	VM	VM	VM	VM	VM	VM	VM
	C									
	B									
	A									
9HDP										



RECOMMENDED PCB LAYOUT 6600303-2
 SCALE 2:1



MATING SEQUENCE	DESCRIPTION	IDENTIFIER
-	RETENTION CLIP	HD
-	POWER CONTACT	VM

THIS DRAWING IS A CONTROLLED DOCUMENT.

DIMENSIONS:	TOLERANCES UNLESS OTHERWISE SPECIFIED:	OWN: D. RINGLER 15MAR06	CHK: M. PERCHERKE 15MAR06	APVD: M. PERCHERKE 15MAR06	NAME: VERTICAL HEADER CONN, W/GUIDES PRESS FIT, TYPE P MULTI-BEAM XL
INCHES	0 PLC ±	PRODUCT SPEC	108-1973	APPLICATION SPEC	SIZE: CAGE CODE DRAWING NO
	1 PLC ±	114-13038	WEIGHT	A100779	RESTRICTED TO
MATERIAL	2 PLC ±	FINISH	CUSTOMER DRAWING	SCALE 2:1	SHEET 3 OF 6
	3 PLC ±				REV B8
	4 PLC ±				
	5 PLC ±				
	ANGLES ±				

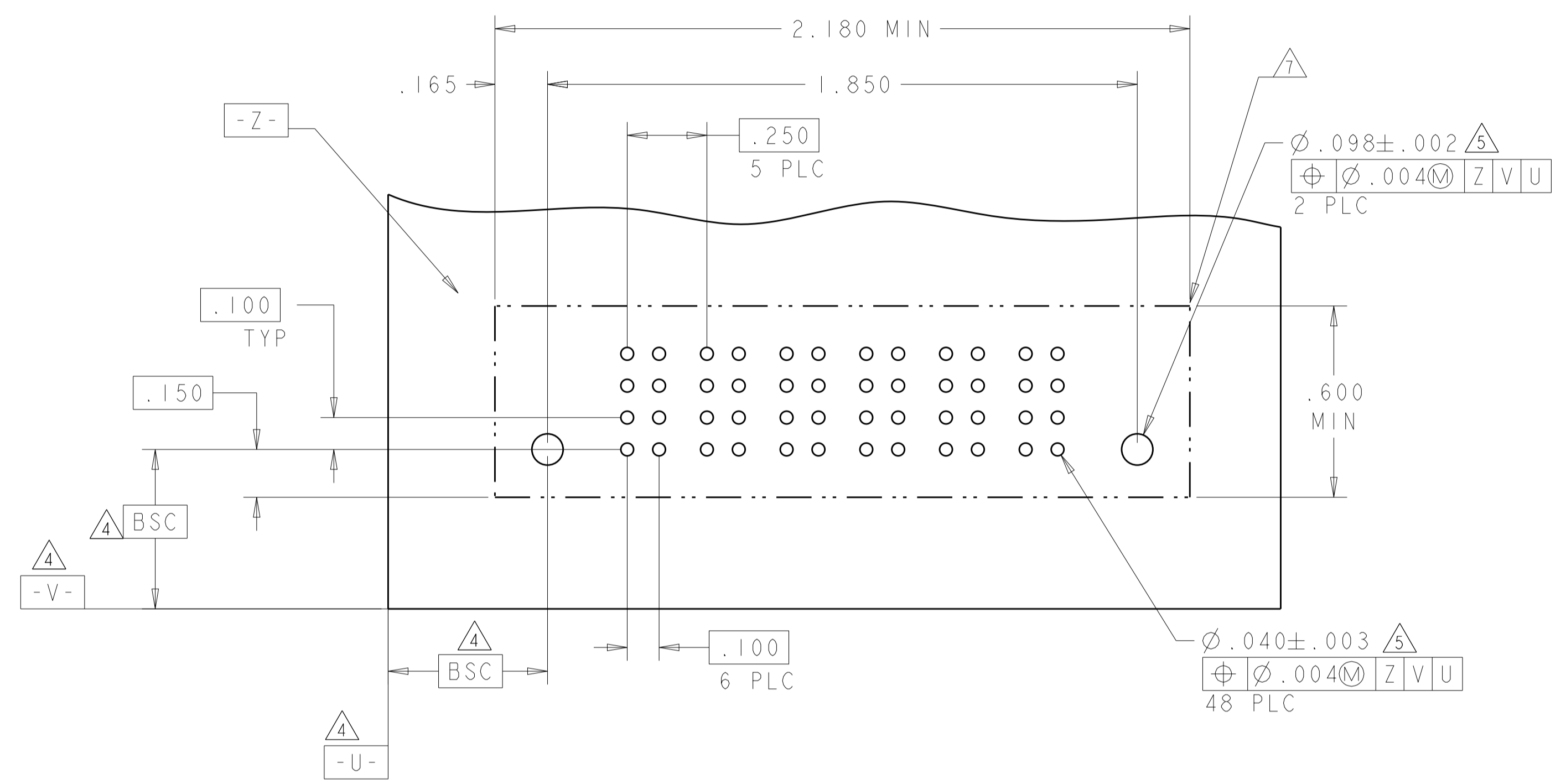
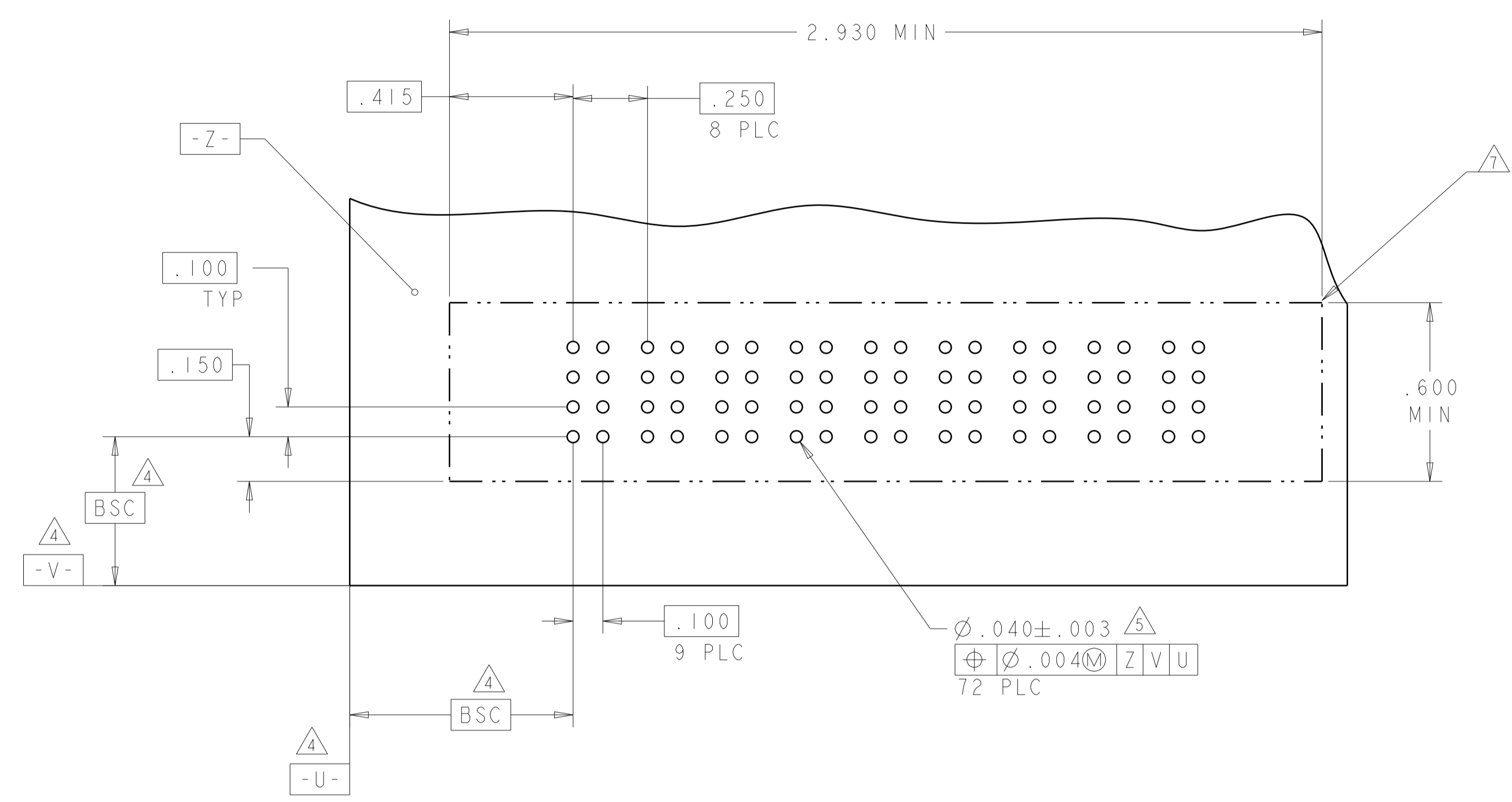
STE TE Connectivity

LOC	DIST	REV	DATE	BY	APPV
GP	00				

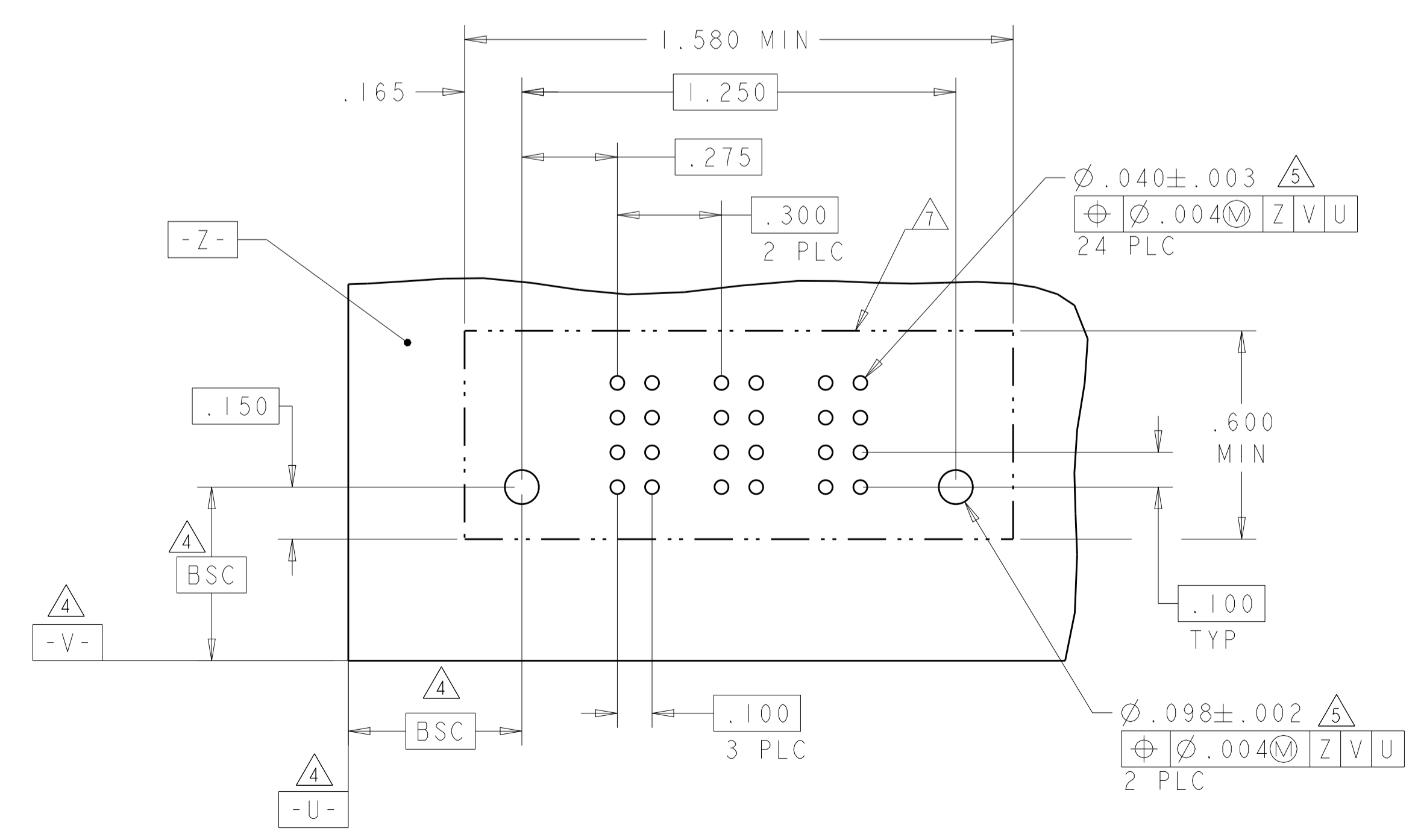
REVISIONS			
REV	DATE	BY	APPV
-	-	-	-
-	-	-	-

PART NUMBER	ROWS	POWER								
		P1	P2	P3	P4	P5	P6	P7	P8	P9
6600303-5	D		VM	VM	VM	VM	VM	VM	VM	VM
	C		VM	VM	VM	VM	VM	VM	VM	VM
	B		VM	VM	VM	VM	VM	VM	VM	VM
	A		VM	VM	VM	VM	VM	VM	VM	VM
9P										

PART NUMBER	ROWS	POWER					
		P1	P2	P3	P4	P5	P6
6600303-6	D		VM	VM	VM	VM	VM
	C		VM	VM	VM	VM	
	B		VM	VM	VM	VM	
	A		VM	VM	VM	VM	
6P		HD				HD	



PART NUMBER	ROWS	POWER		
		P1	P2	P3
6600303-7	D		VM	VM
	C		VM	VM
	B		VM	VM
	A		VM	VM
3ACP		HD		HD



THIS DRAWING IS A CONTROLLED DOCUMENT.

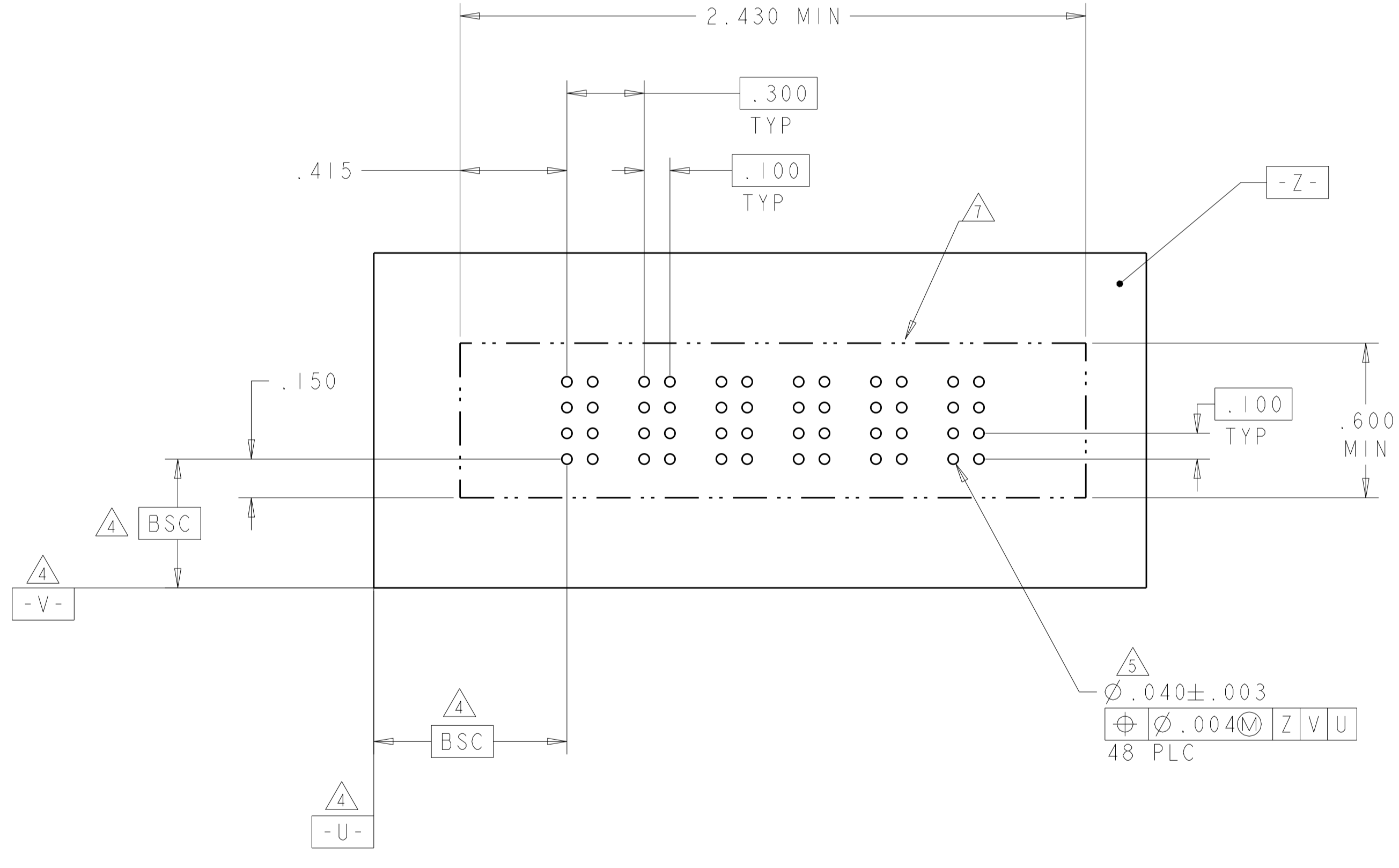
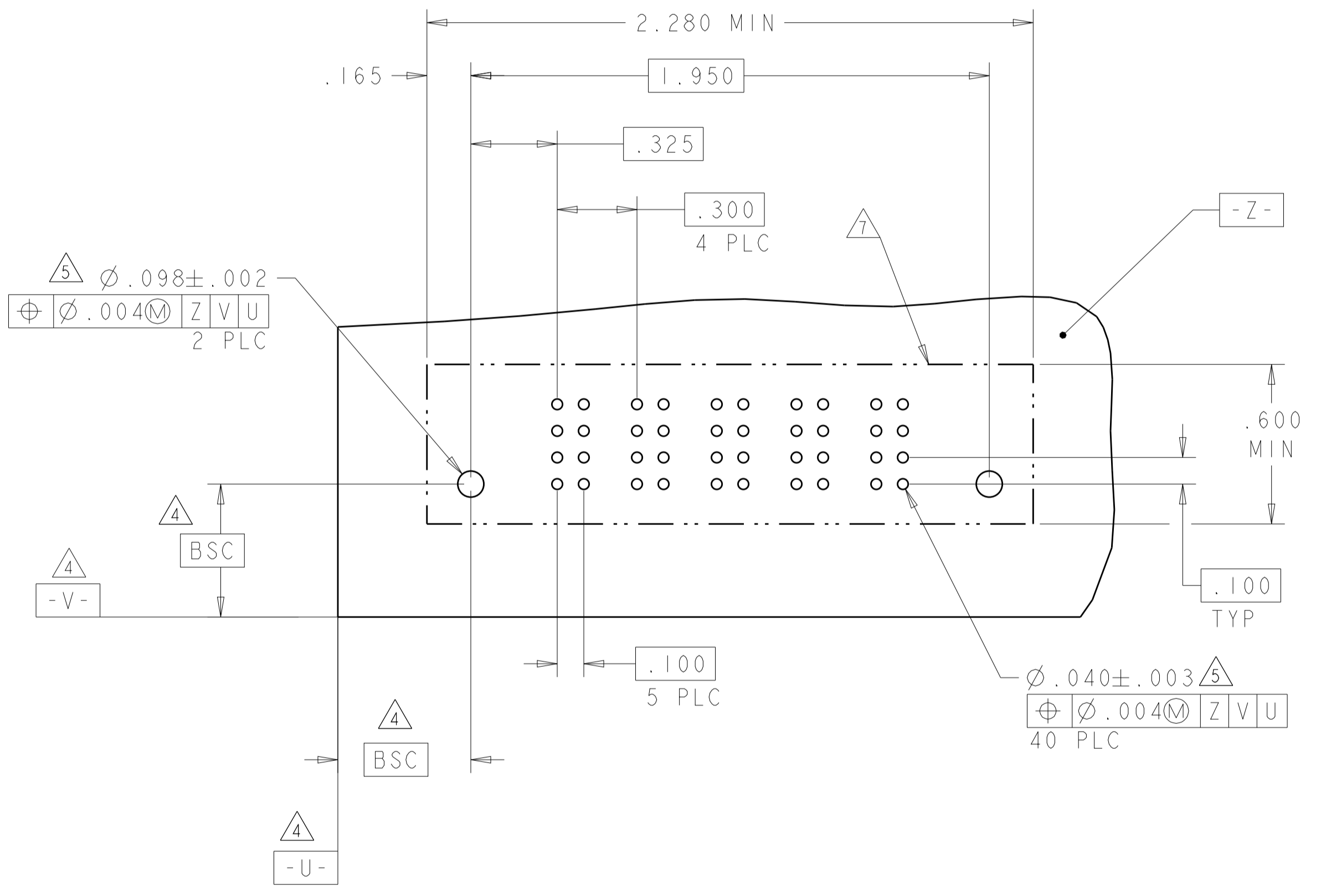
DIMENSIONS: INCHES	TOLERANCES UNLESS OTHERWISE SPECIFIED:	OWN: D. RINGLER 15MAR06	CHK: M. PERCHERKE 15MAR06	APVD: M. PERCHERKE 15MAR06	NAME: VERTICAL HEADER CONN, W/GUIDES PRESS FIT, TYPE P MULTI-BEAM XL
	0 PLC ± 1 PLC ± 2 PLC ± 3 PLC ±.005 4 PLC ± ANGLES ±	PRODUCT SPEC: 108-1973	APPLICATION SPEC: 114-13038	WEIGHT: -	RESTRICTED TO: -
MATERIAL:	FINISH:	SIZE: A1	CAGE CODE: 00779	DRAWING NO: C=6600303	SHEET 4 OF 6
CUSTOMER DRAWING		SCALE: 2:1		REV: B8	

STE TE Connectivity

LOC	DIST	REVISIONS			
P	LTN	DESCRIPTION	DATE	DMN	APVD
-	-	SEE SHEET 1	-	-	-

PART NUMBER	ROWS	POWER						
		P1	P2	P3	P4	P5		
6600303-9	D	HD	VM	VM	VM	VM	VM	HD
	C							
	B							
	A							
5ACP								

PART NUMBER	ROWS	POWER							
		P1	P2	P3	P4	P5	P6		
1-6600303-0	D	HD	VM	VM	VM	VM	VM	VM	HD
	C								
	B								
	A								
6ACP									



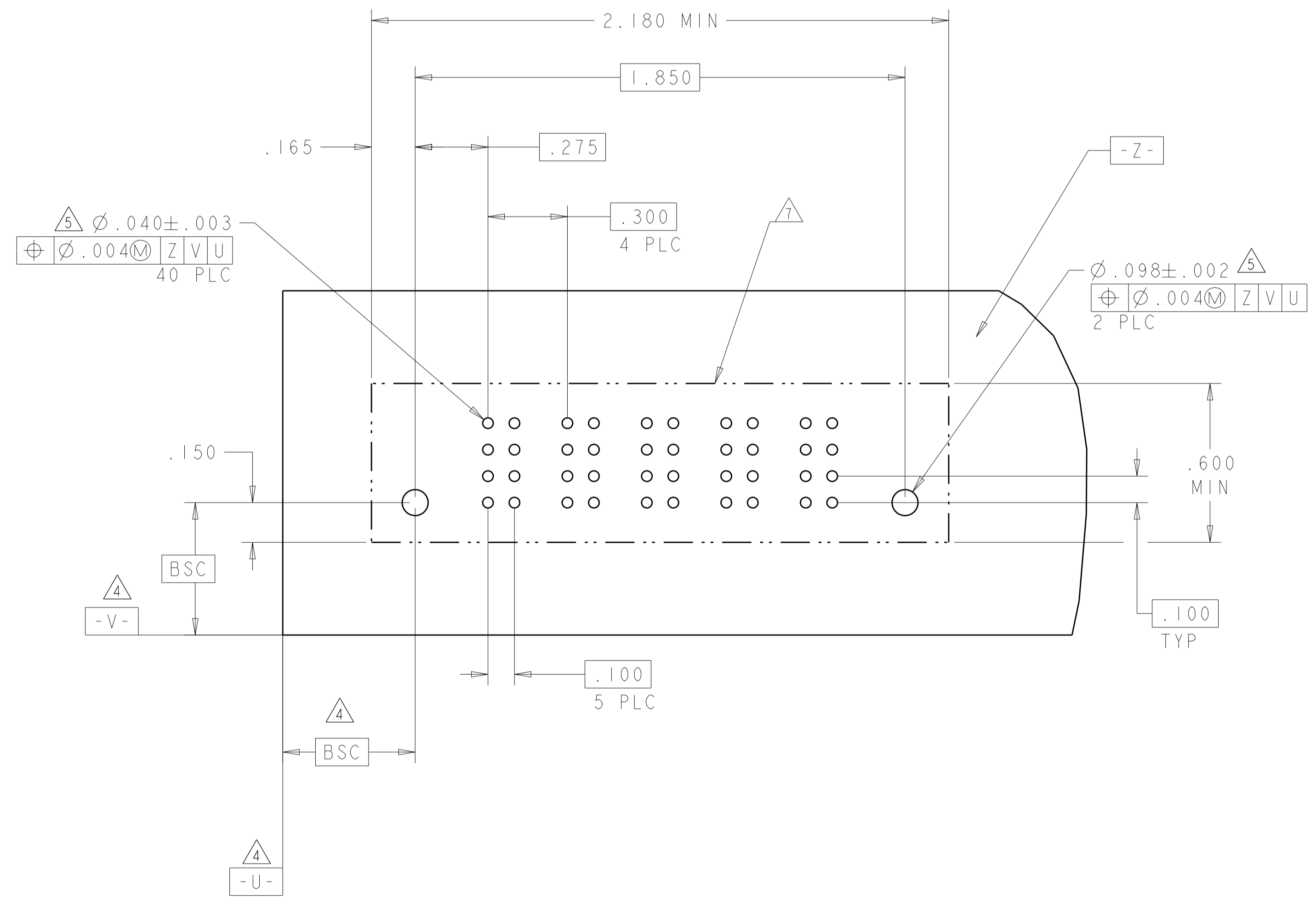
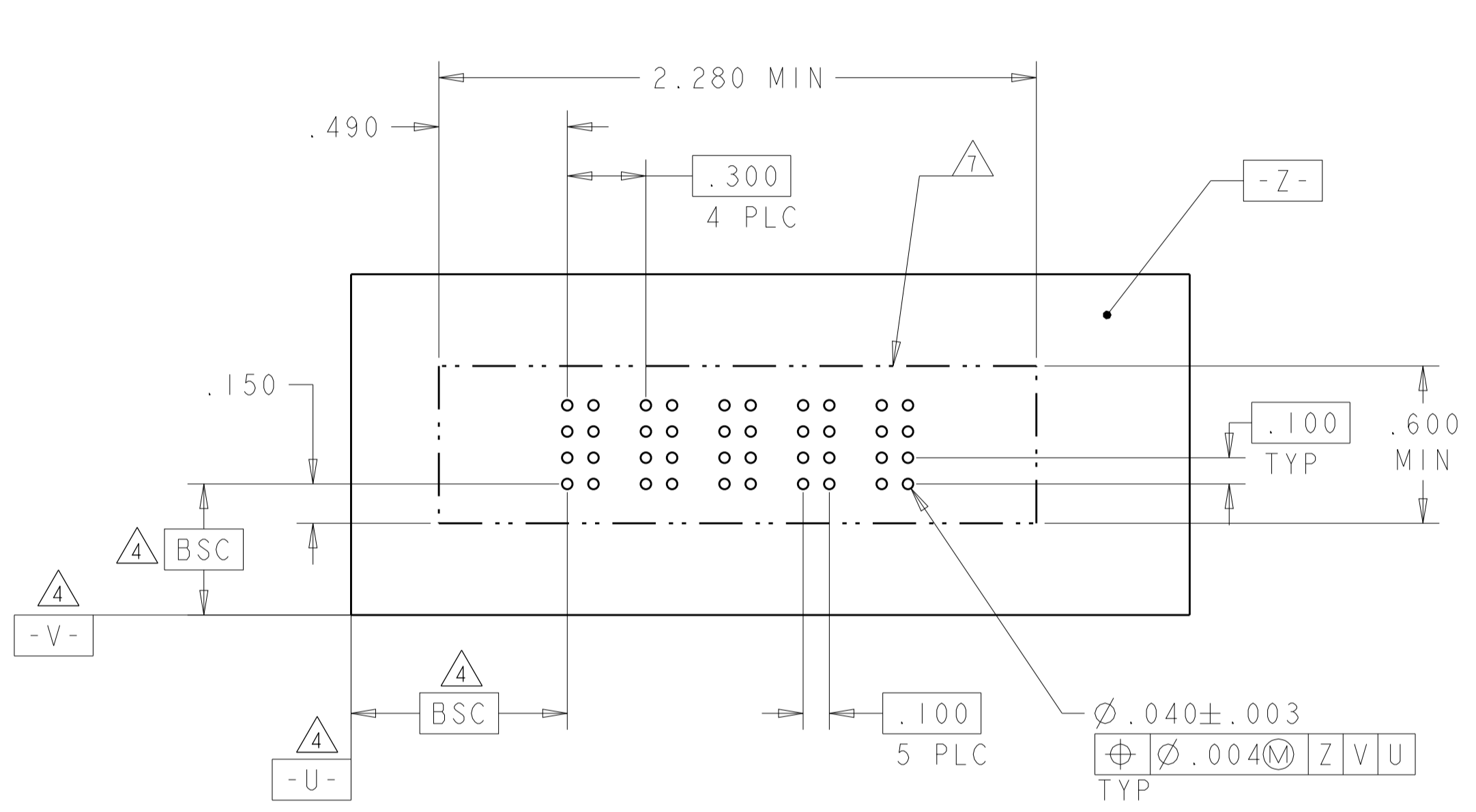
THIS DRAWING IS A CONTROLLED DOCUMENT.		DMN D. RINGLER 15MAR06	TE Connectivity
DIMENSIONS: INCHES		CHK M. PERCHERKE 15MAR06	
TOLERANCES UNLESS OTHERWISE SPECIFIED:		APVD M. PERCHERKE 15MAR06	NAME
0 PLC ±	1 PLC ±	PRODUCT SPEC	VERTICAL HEADER CONN, W/GUIDES
2 PLC ±	3 PLC ±	108-1973	PRESS FIT, TYPE P
4 PLC ±	5 PLC ±	APPLICATION SPEC	MULTI-BEAM XL
ANGLES ±	FINISH ±	114-13038	SIZE CAGE CODE DRAWING NO
MATERIAL		WEIGHT	A100779C=6600303
		CUSTOMER DRAWING	RESTRICTED TO
		SCALE 2:1	SHEET 5 OF 6
			REV B8

LOC	DIST	REVISIONS			
P	LTN	DESCRIPTION	DATE	DMN	APVD
-	-	SEE SHEET 1	-	-	-

B5

PART NUMBER	ROWS	POWER				
		P1	P2	P3	P4	P5
I-6600303-1	D	VM	VM	VM	VM	VM
	C					
	B					
	A					
5ACP						

PART NUMBER	ROWS	POWER				
		P1	P2	P3	P4	P5
I-6600303-2	D	VM	VM	VM	VM	VM
	C					
	B					
	A					
5ACP						



THIS DRAWING IS A CONTROLLED DOCUMENT.

DIMENSIONS: INCHES	TOLERANCES UNLESS OTHERWISE SPECIFIED: 0 PLC ± 1 PLC ± 2 PLC ± 3 PLC ±.005 4 PLC ± ANGLES ±	FINISH	DMN D. RINGLER 15MAR06	CHK M. PERCHERKE 15MAR06	APVD M. PERCHERKE 15MAR06	NAME VERTICAL HEADER CONN, W/GUIDES PRESS FIT, TYPE P MULTI-BEAM XL
MATERIAL	FINISH	WEIGHT	PRODUCT SPEC 108-1973	APPLICATION SPEC 114-13038	SIZE A100779	RESTRICTED TO
CUSTOMER DRAWING			SCALE 2:1	SHEET 6 OF 6	REV B8	

STE TE Connectivity